

Series - 8855, 8856

MINIATURE POSITIVE ACTION SWITCHES MIL-DTL-8834 Miniature Positive Action Switches Lever Lock/Solder Lug Terminals

FEATURES			SPECIFICATIONS			CURRENT RATINGS																																						
<ul style="list-style-type: none"> Sealed bushing Dry circuit (logic level loads) to power switching levels 1 and 2 pole circuitry Non-teasible mechanism for all but center "ON" circuits High electrical/ mechanical reliability Two styles of lever lock Actuator Locking actuator for safety Wiping action contacts Positive make and break action Solder lug termination 	<ul style="list-style-type: none"> Bushing seal or bonded seal per MIL-DTL-8834 MS approved and QPL'd to MIL-DTL-8834 Temperature Range: -67°F to +160°F (-55°C to +71°C) Life: 20,000 operations at rated load 40,000 operations mechanical life Solder lug terminal .050 [1,27] dia.hole 	<table border="1"> <thead> <tr> <th rowspan="2">No. of Poles</th> <th rowspan="2">Catalog Number</th> <th rowspan="2">Type of Operation</th> <th colspan="2">28 and 50VDC (Amperes per pole)</th> <th colspan="4">115VAC 60Hz and 400Hz (Amperes per pole)</th> </tr> <tr> <th>Resistive Load</th> <th>Inductive Load</th> <th colspan="2">Resistive Load</th> <th colspan="2">Inductive Load</th> </tr> <tr> <td></td> <td></td> <td></td> <th>28VDC</th> <th>28VDC</th> <th>60Hz</th> <th>400Hz</th> <th>60Hz</th> <th>400Hz</th> </tr> </thead> <tbody> <tr> <td>1</td> <td>8855</td> <td>Maintained and Momentary</td> <td>5</td> <td>1</td> <td>2</td> <td>3</td> <td>1</td> <td>2</td> </tr> <tr> <td>2</td> <td>8866</td> <td>Maintained and Momentary</td> <td>5</td> <td>1</td> <td>2</td> <td>3</td> <td>1</td> <td>2</td> </tr> </tbody> </table>	No. of Poles	Catalog Number	Type of Operation	28 and 50VDC (Amperes per pole)		115VAC 60Hz and 400Hz (Amperes per pole)				Resistive Load	Inductive Load	Resistive Load		Inductive Load					28VDC	28VDC	60Hz	400Hz	60Hz	400Hz	1	8855	Maintained and Momentary	5	1	2	3	1	2	2	8866	Maintained and Momentary	5	1	2	3	1	2
						No. of Poles	Catalog Number	Type of Operation	28 and 50VDC (Amperes per pole)		115VAC 60Hz and 400Hz (Amperes per pole)																																	
Resistive Load	Inductive Load	Resistive Load		Inductive Load																																								
			28VDC	28VDC	60Hz	400Hz	60Hz	400Hz																																				
1	8855	Maintained and Momentary	5	1	2	3	1	2																																				
2	8866	Maintained and Momentary	5	1	2	3	1	2																																				
Minimum Rating: 25 microamperes at 5 millivolts.																																												



SELECTION TABLE

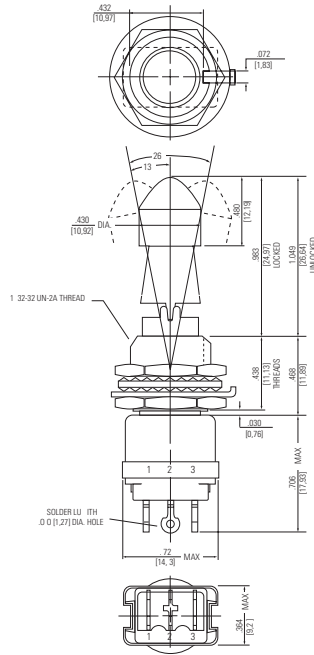
CIRCUIT WITH LEVER IN . . .													
Up Position	Center Position	Down Position (Keyway)	Lever Lock® Bushing Style	MS Part Number	Catalog Number	MS® Part Number	Catalog® Number	MS Part Number	Catalog Number	MS Part® Number	Catalog® Number		
ONE POLE													
ON →	← OFF →	← ON	A	MS21026-A211	8855K4	Feature Not Available in Single Pole Switches		MS21436-A211	8855K74	Feature Not Available in Single Pole Switches			
ON	← OFF →	ON	B	-B211	K5			-B211	K75				
ON	← OFF →	NONE	B	-B241	K19			-B241	K719				
ON	NONE	← OFF	C	-C221	K13			-C221	K713				
ON	NONE	← ON	C	-C231	K7			-C231	K77				
ON	← OFF →	ON	D	MS21026-D211	8855K10			MS21436-D211	8855K710				
ON →	NONE	← OFF	E	-E221	K14			-E221	K714				
ON →	NONE	← ON	E	-E231	K8			-E231	K78				
* ON	← OFF →	ON*	F	-F271	K15			-F271	K715				
ON	← OFF →	ON*	G	-G311	K16			-G311	K716				
* ON	← OFF →	ON*	H	MS21026-H271	8855K17			MS21436-H271	8855K717				
ON →	← OFF →	NONE	J	-J241	K9			-J241	K79				
NONE	← OFF →	ON*	K	-K281	K18			-K281	K718				
ON	← OFF →	ON*	K	-K311	K20			-K311	K720				
ON	← OFF →	ON*	L	-L311	K12			-L311	K712				
TWO POLE													
ON →	← OFF →	← ON	A	MS21027-A211	8856K4	MS21027-A711	8856K4X	MS21437-A211	8856K74	MS21437-A711	8856K74X		
ON	← OFF →	ON	B	-B211	K5	-B711	K5X	-B211	K75	-B711	K75X		
ON	← OFF →	NONE	B	-B241	K19	-B741	K19X	-B241	K719	-B741	K719X		
ON	NONE	← OFF	C	-C221	K13	-C721	K13X	-C221	K713	-C721	K713X		
ON	NONE	← ON	C	-C231	K7	-C731	K7X	-C231	K77	-C731	K77X		
ON	← OFF →	ON	D	MS21027-D211	8856K10	MS21027-D711	8856K10X	MS21437-D211	8856K710	MS21437-D711	8856K710X		
ON →	NONE	← OFF	E	-E221	K14	-E721	K14X	-E221	K714	-E721	K714X		
ON →	NONE	← ON	E	-E231	K8	-E731	K8X	-E231	K78	-E731	K78X		
* ON	← OFF →	ON*	F	-F371	K27	-F871	K27X	-F371	K727	-F871	K727X		
ON	← OFF →	ON*	G	-G311	K16	-G811	K16X	-G311	K716	-G811	K716X		
* ON	← OFF →	ON*	H	MS21027-H371	8856K29	MS21027-H871	8856K29X	MS21437-H371	8856K729	MS21437-H871	8856K729X		
ON →	← OFF →	NONE	J	-J241	K9	-J741	K9X	-J241	K79	-J741	K79X		
NONE	← OFF →	ON*	K	-K381	K28	-K881	K28X	-K381	K728	-K881	K728X		
ON	← OFF →	ON*	K	-K311	K20	-K811	K20X	-K311	K720	-K811	K720X		
ON	← OFF →	ON*	L	-L311	K12	-L811	K12X	-L311	K712	-L811	K712X		
ON →	← ON →	← ON	A	MS21027-A331	8856K21⊕	MS21027-A831	8856K21X⊕	MS21437-A331	8856K721⊕	MS21437-A831	8856K721X⊕		
ON	← ON →	ON	B	-B331	K30⊕	-B831	K30X⊕	-B331	K730⊕	-B831	K730X⊕		
ON	ON	← ON	C	-C331	K31⊕	-C831	K31X⊕	-C331	K731⊕	-C831	K731X⊕		
ON	← ON	ON	D	-D331	K32⊕	-D831	K32X⊕	-D331	K732⊕	-D831	K732X⊕		
* ON	← ON →	ON*	F	-F341	K22⊕	-F841	K22X⊕	-F341	K722⊕	-F841	K722X⊕		
* ON	← ON →	ON*	H	MS21027-H341	8856K34⊕	MS21027-H841	8856K34X⊕	MS21437-H341	8856K734⊕	MS21437-H841	8856K734X⊕		
NONE	ON →	ON*	K	-K321	K24⊕	-K821	K24X⊕	-K321	K724⊕	-K821	K724X⊕		
ON	ON →	ON*	G	-G351	K35⊕	-G851	K35X⊕	-G351	K735⊕	-G851	K735X⊕		
ON	← ON →	ON*	K	-K351	K23⊕	-K851	K23X⊕	-K351	K723⊕	-K851	K723X⊕		
ON	← ON →	ON	L	-L351	K36⊕	-L851	K36X⊕	-L351	K736⊕	-L851	K736X⊕		

MINIATURE POSITIVE ACTION SWITCHES

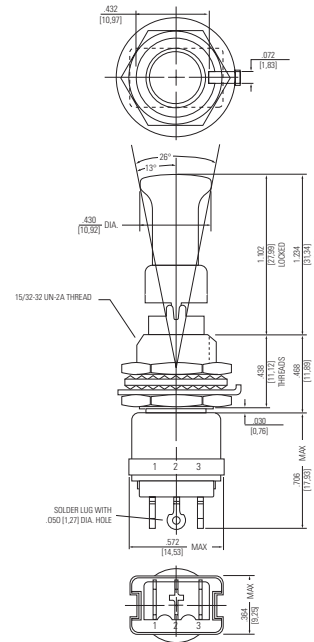
Series - 8855, 8856

MIL-DTL-8834 Miniature Positive Action Switches
Lever Lock/Solder Lug Terminals

MOUNTING DIMENSIONS - ONE POLE / 8855



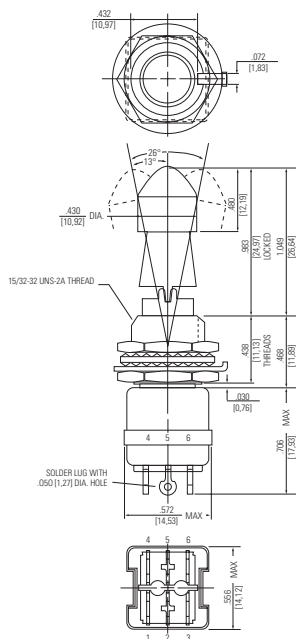
Standard Cap Style



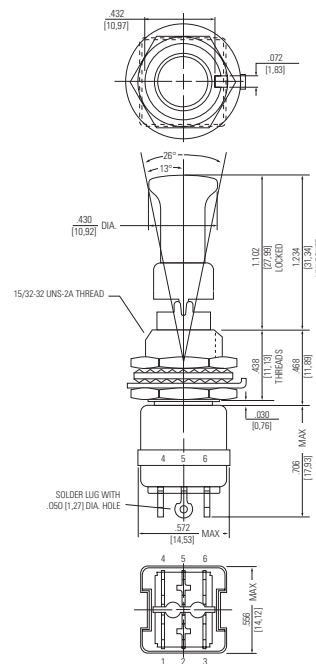
Mushroom Cap Style

Terminal Identification

MOUNTING DIMENSIONS - TWO POLE / 8856



Standard Cap Style



Mushroom Cap Style

Terminal Identification

STANDARD
0.00 = inches
[0,0] = mm

Mounting dimensions for reference only.

Non-functional terminals not supplied.

Series - 8855, 8856

MINIATURE POSITIVE ACTION SWITCHES

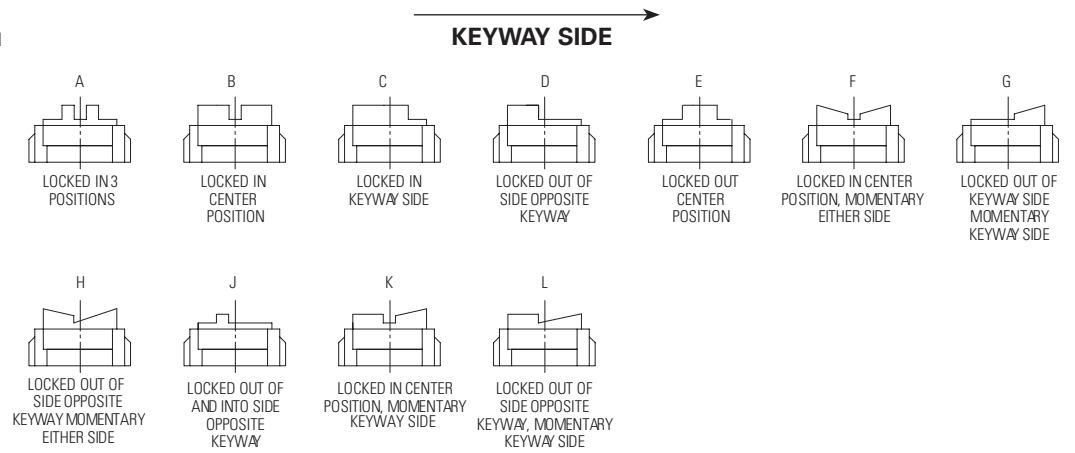
MIL-DTL-8834 Miniature Positive Action Switches

Lever Lock/Solder Lug Terminals

OPTIONS/ACCESSORIES

- Special mounting hardware
- Special marking
- Mounting hardware furnished assembled
- Special locking configurations
- Panel seal, Part Number 32-341
- Special circuits
- Special locking cap style
- Custom wire harnesses
- EMI/RFI capability on two pole

LEVER LOCK - BUSHING STYLES



Figures A thru L do not represent details of construction. They schematically illustrate locking function.

OPTIONS/ACCESSORIES

- Special mounting hardware
- Special marking
- Mounting hardware furnished assembled
- Special locking configurations
- Panel seal, Part Number 32-341
- Special circuits
- Special locking cap style
- Custom wire harnesses
- EMI/RFI capability on two pole
- Gold plated contacts

PANEL CUTOUT DIMENSIONS

15/32 DIA. BUSHING

